

Current part is item (5) on diagram. Available at www.oshkoshequipment.com

(1) SMR Code	(2) Federal Stock Number	(3) Description Reference number & mfg. code Usable on code		(4) Unit Of Meas.	(5) Qty Inc In Unit	(6) 15-day organizational Maintenance alw				(7) Illustration	
						(a) 1-5	(b) 6-20	(c) 21-50	(d) 51-100	(a) Figure No.	(b) Item No.
		0401—MUFFLER AND PIPES—Continued									
P-O	2990-705-6237	GASKET: flange, exhaust 7056237 (19207)	CA,CB,CD,CE, GA,LA,MC,MD, DA,HA,LB	EA	3	*	*	*	*	13	3
P-O	5310-880-7745	NUT, HEXAGON: flange exhaust MS51968-11 (96906)		EA	8	*	*	*	*	13	4
P-O	2990-737-3683	PIPE: exhaust 7373683 (19207)	CA,CB,CD,CE, MC,MD	EA	1	*	*	*	*	13	5
P-O	2990-741-2449	PIPE: exhaust 7412449 (19207)	CG,JA,JB	EA	1	*	*	*	*	13	5

Current part is item (5) on diagram. Available at www.oshkoshequipment.com

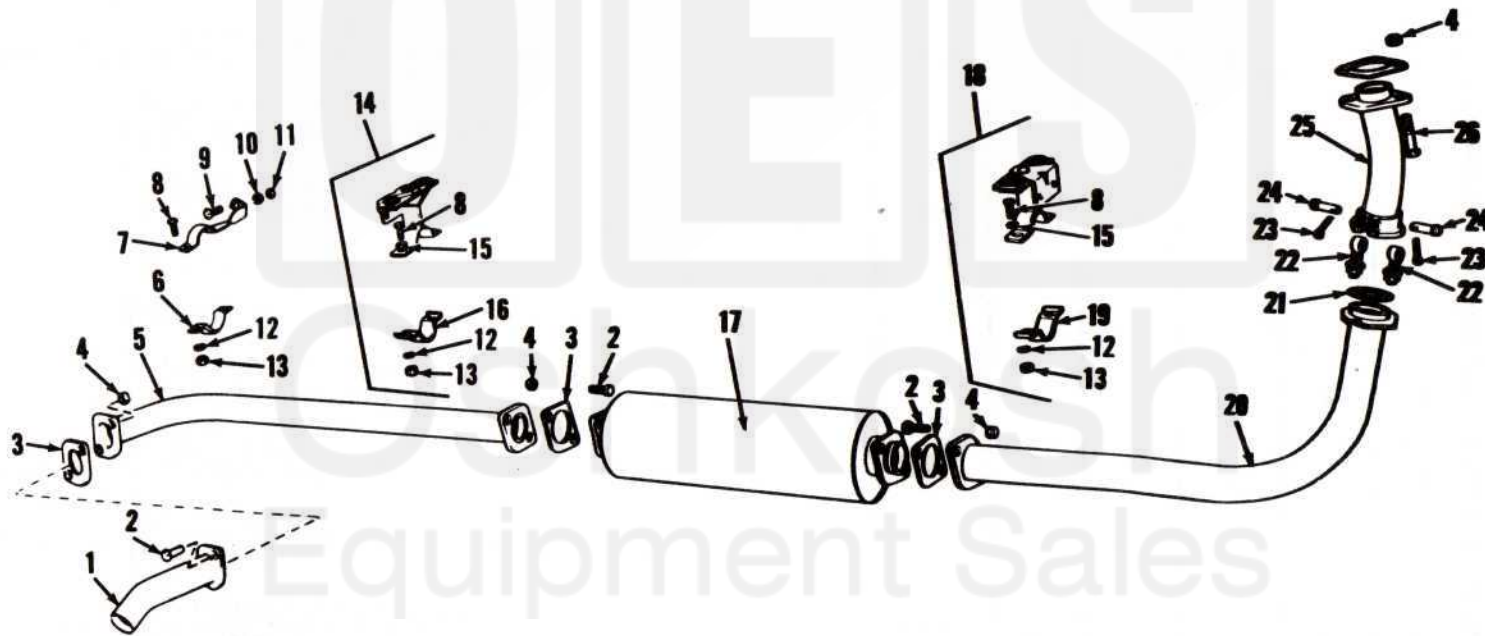


Figure 13. Mufflers and pipes.